

NELSON™ HEAT TRACING SYSTEMS SPECIFICATION / APPLICATION

SV-4X VOLTAGE ADJUSTER INSTALLATION

DESCRIPTION



ENCLOSURE

Molded Reinforced Fiberglass

CLASSIFICATIONS

NEMA Type 4X IP66

ELECTRICAL DATA

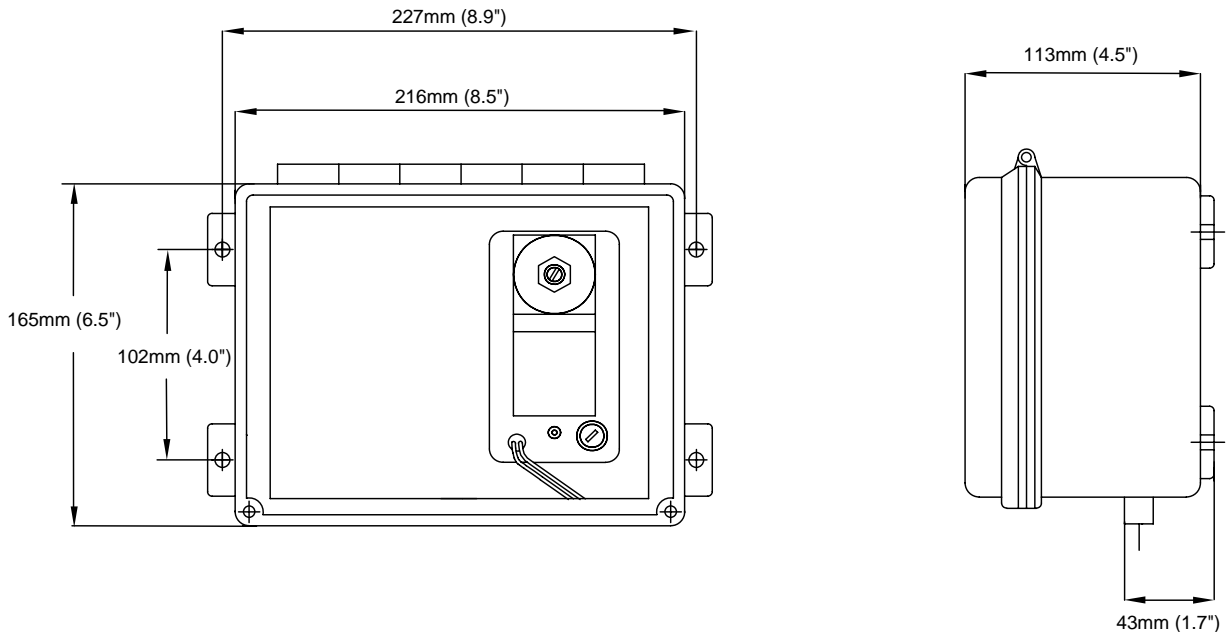
CSA, FM Ratings

Load Switching: 5 amp resistive @ 5-100VAC

Supply Voltage: 110-120VAC

The SV-4X voltage adjuster is used for reducing supply voltage between 30-100VAC. This is standardly used for MI cable designs when full voltage exceeds application requirements.

OUTLINE



Approvals:

FM - Ordinary Locations

CSA - Ordinary Locations

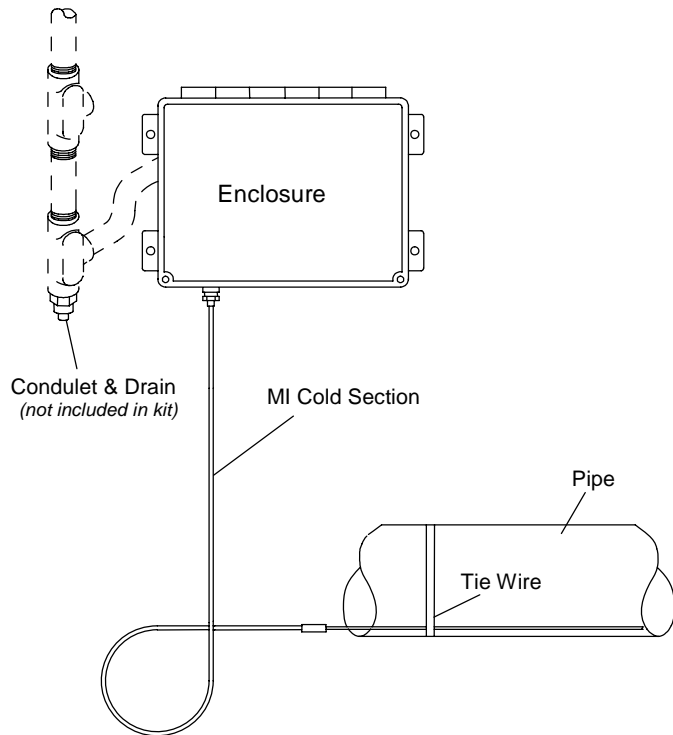
NELSON HEAT TRACING SYSTEMS

SV-4X VOLTAGE ADJUSTER

SPECIFICATION / APPLICATION

INSTALLATION

INSTALLATION



INSTALLATION NOTES:

- Securely mount enclosure and make electrical connections.
- Set voltage on SV per enclosed instructions.
- Close enclosure cover to prevent damage from inclement weather.
- Insure all fittings associated with the power wiring are installed per applicable codes.
- When conduit type systems are used, low point drains / conduit drains are highly recommended.

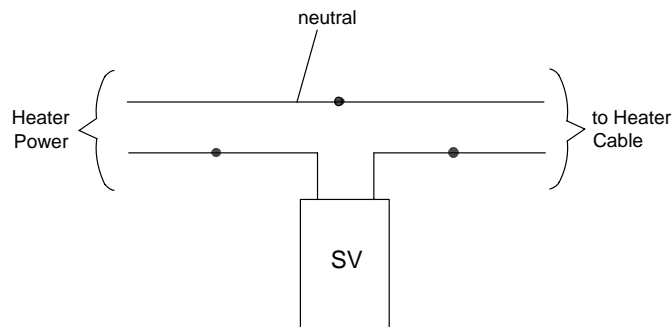
ANNUAL MAINTENANCE:

Spray a coat of lubricant and rust preventative such as CRC Stor & Lube on the electrical wire connections.

WARNING:

Set voltage on SV per enclosed instructions.

WIRING DIAGRAM



Nelson Heat Tracing Systems products are supplied with a limited warranty. Complete Terms and Conditions may be found on Nelson's website at www.nelsonheaters.com.